

KBS PANEL SYSTEM			
MODEL	LENGTH (INCHES)		
	A	B	C
4" EXPOSURE	3.75 - 4	0.45 - 0.75	1.26
6" EXPOSURE	5.75 - 6	0.45 - 0.75	1.26
8" EXPOSURE	7.75 - 8	0.45 - 0.75	1.26

KBS PANEL SYSTEM
WOOD GRAIN SIDING

DRAWN BY: DM

SCALE: NTS

APPROVED BY: TM

DATE: 21-09-2018



Klassen Building Supplies Ltd.

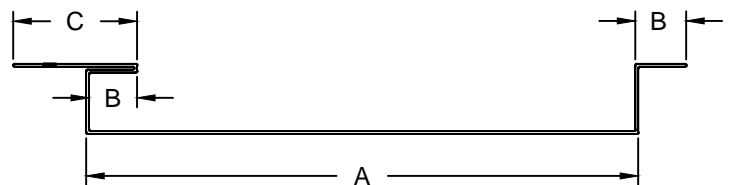
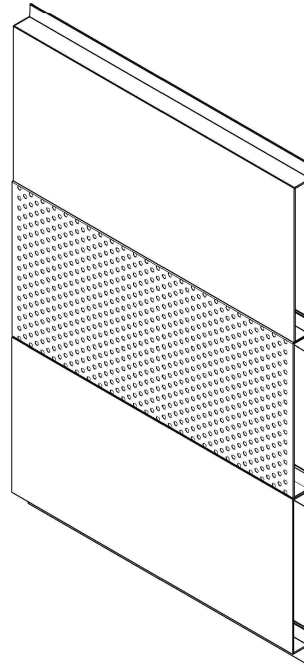
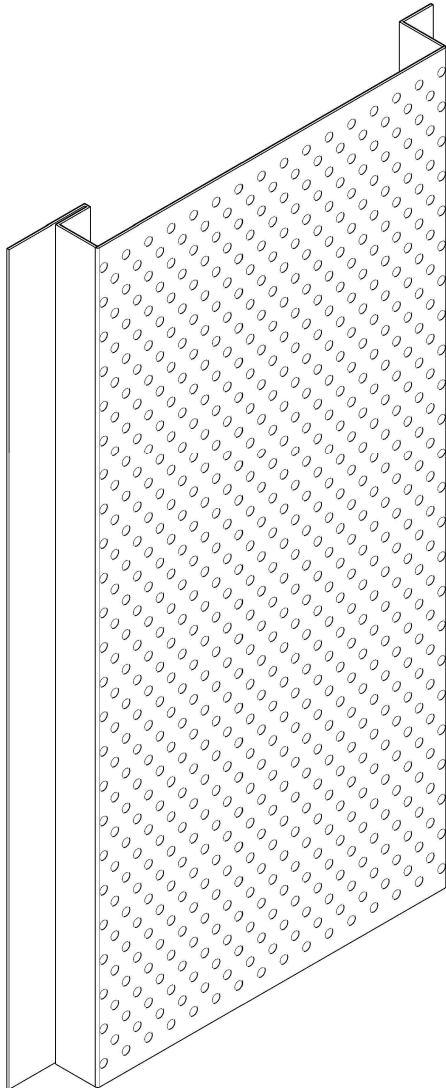
#104-14620 64 Avenue Surrey, BC, Canada V3S 1X7
 www.klassenbuildingsupplies.com (604) 543-7331
 office@dmdeng.com Fax (604) 543-7363

DRAWING NO.

KBS-PS

REV.

A



KBS PANEL SYSTEM			
MODEL	LENGTH (INCHES)		
	A	B	C
PREFORATED VENT STRIP	3.75	0.45	1.26

KBS PANEL SYSTEM
PERFORATED VENT STRIP

DRAWN BY: DM

SCALE: NTS

APPROVED BY: TM

DATE: 21-09-2018



Klassen Building Supplies Ltd.

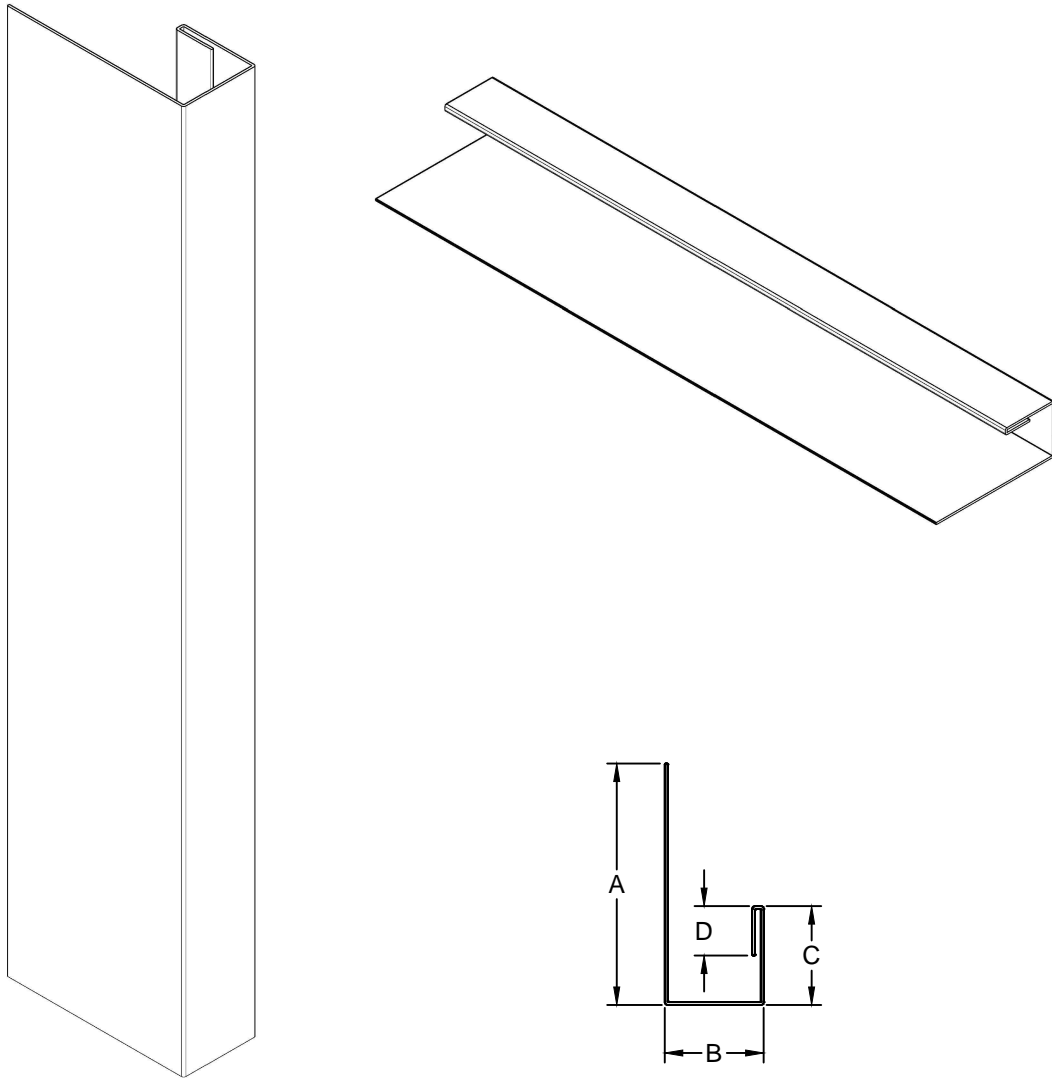
#104-14620 64 Avenue Surrey, BC, Canada V3S 1X7
www.klassenbuildingsupplies.com (604) 543-7331
office@dmdeng.com Fax (604) 543-7363

DRAWING NO.

KBS-VS

REV.

A



KBS PANEL SYSTEM				
MODEL	LENGTH (INCHES)			
	A	B	C	D
J-TRIM	2.5	TO FIT	1.0	0.5

KBS PANEL SYSTEM
J-TRIM

DRAWN BY: DM
APPROVED BY: TM

SCALE: NTS
DATE: 21-09-2018

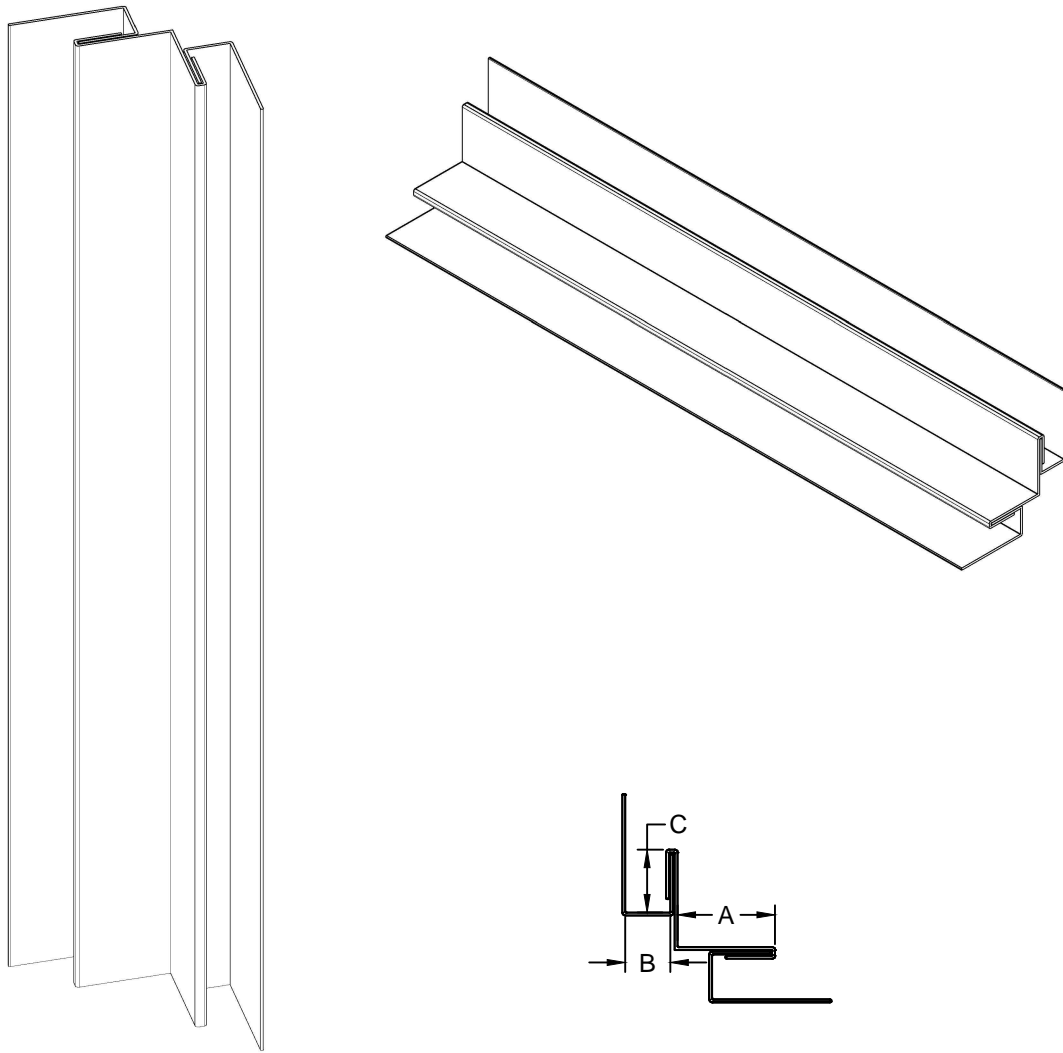


Klassen Building Supplies Ltd.

#104-14620 64 Avenue Surrey, BC, Canada V3S 1X7
www.klassenbuildingsupplies.com (604) 543-7331
office@dmdeng.com Fax (604) 543-7363

DRAWING NO.
KBS-JT

REV.
A



KBS PANEL SYSTEM			
MODEL	LENGTH (INCHES)		
	A	B	C
3-PC INSIDE CORNER	MIN 1"	0.9	0.75

KBS PANEL SYSTEM
3 PIECE INSIDE CORNER

DRAWN BY: DM

SCALE: NTS

APPROVED BY: TM

DATE: 21-09-2018



Klassen Building Supplies Ltd.

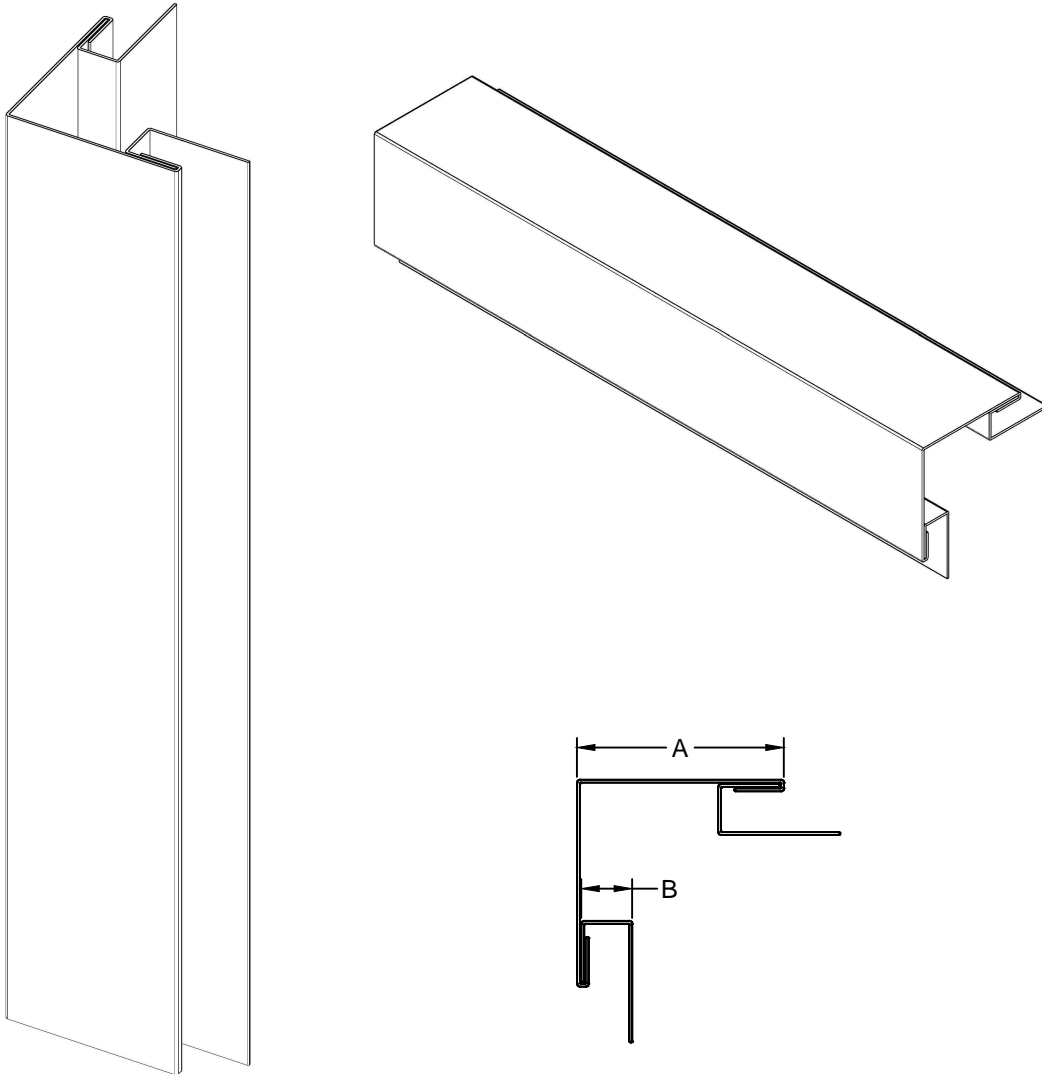
#104-14620 64 Avenue Surrey, BC, Canada V3S 1X7
 www.klassenbuildingsupplies.com (604) 543-7331
 office@dmdeng.com Fax (604) 543-7363

DRAWING NO.

KBS-IC

REV.

A



KBS PANEL SYSTEM		
MODEL	LENGTH (INCHES)	
	A	B
3-PC OUTSIDE CORNER	MIN 2"	TO FIT

KBS PANEL SYSTEM
3-PIECE OUTSIDE CORNER

DRAWN BY: DM

SCALE: NTS

APPROVED BY: TM

DATE: 21-09-2018

DRAWING NO.

KBS-OC

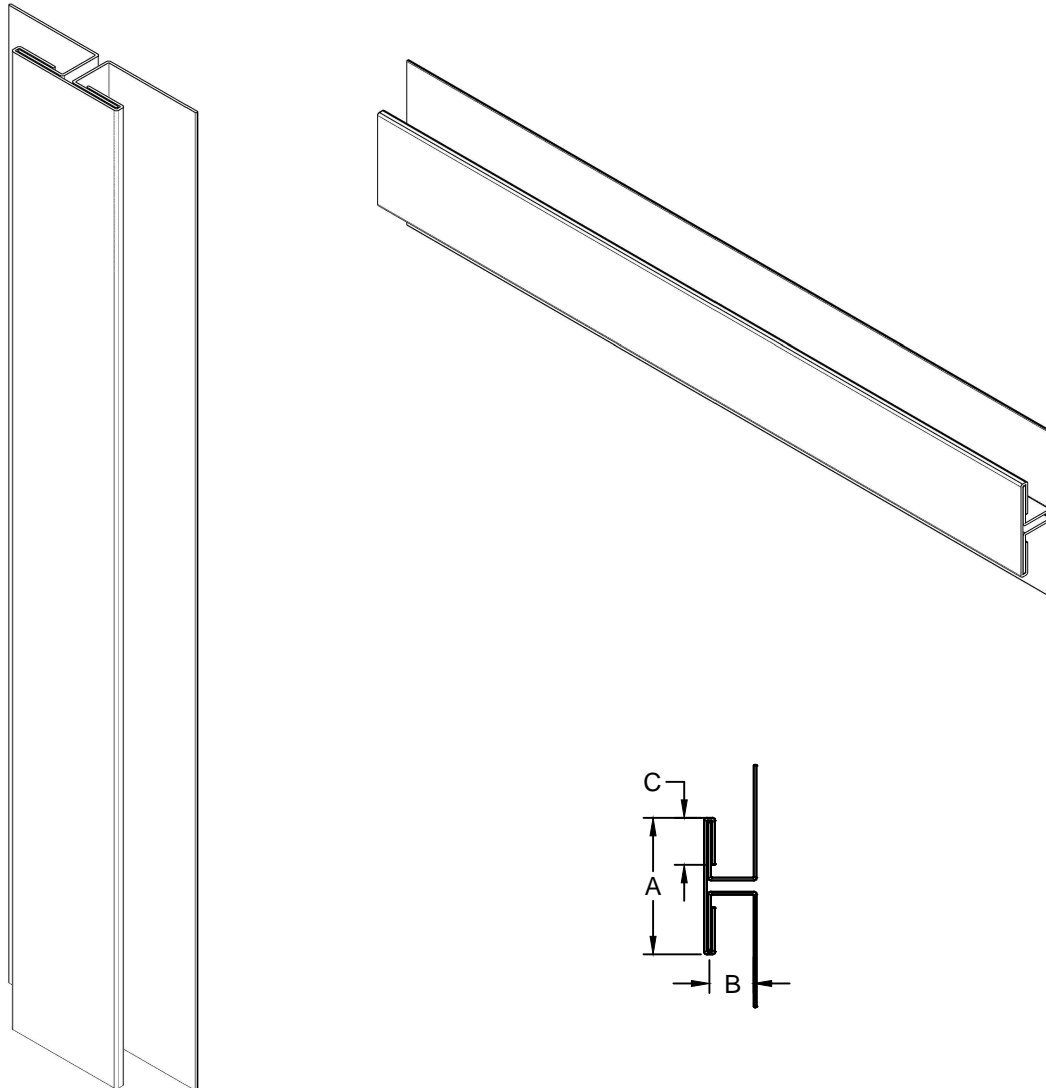
REV.

A



Klassen Building Supplies Ltd.

#104-14620 64 Avenue Surrey, BC, Canada V3S 1X7
www.klassenbuildingsupplies.com (604) 543-7331
office@dmdeng.com Fax (604) 543-7363



KBS PANEL SYSTEM			
MODEL	LENGTH (INCHES)		
	A	B	C
VERTICAL TRIM	MIN 1.75	TO FIT	0.75

KBS PANEL SYSTEM
VERTICAL TRIM

DRAWN BY: DM

SCALE: NTS

APPROVED BY: TM

DATE: 21-09-2018



Klassen Building Supplies Ltd.

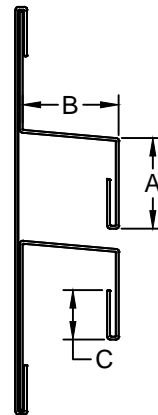
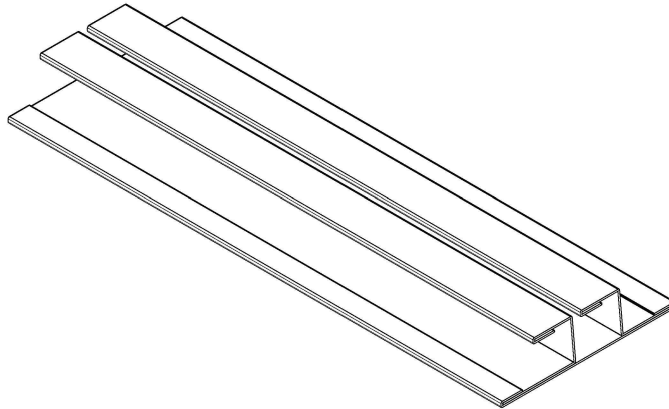
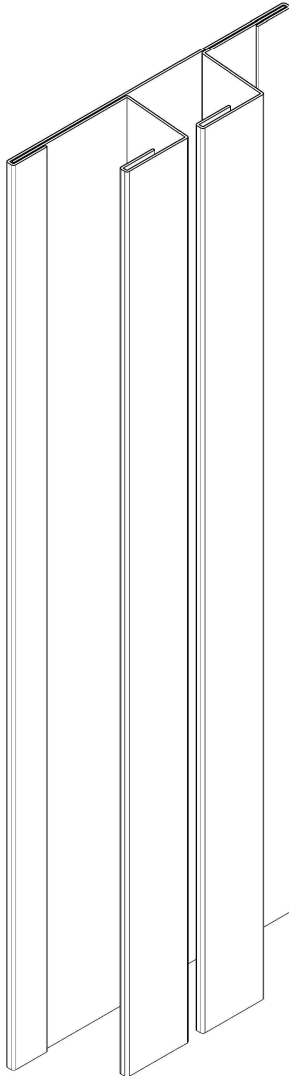
#104-14620 64 Avenue Surrey, BC, Canada V3S 1X7
 www.klassenbuildingsupplies.com (604) 543-7331
 office@dmdeng.com Fax (604) 543-7363

DRAWING NO.

KBS-VT

REV.

A



KBS PANEL SYSTEM			
MODEL	LENGTH (INCHES)		
	A	B	C
HORIZONTAL TRIM	MIN 1.5	TO FIT	0.75

KBS PANEL SYSTEM
HORIZONTAL TRIM

DRAWN BY: DM

SCALE: NTS

APPROVED BY: TM

DATE: 21-09-2018



Klassen Building Supplies Ltd.

#104-14620 64 Avenue Surrey, BC, Canada V3S 1X7
www.klassenbuildingsupplies.com (604) 543-7331
office@dmdeng.com Fax (604) 543-7363

DRAWING NO.

KBS-HT

REV.

A